

ProMerc-10

Hanging type
offline consumption machine
with dual color screens



Product Introduction

ProMerc-10 is a new model of consumption machine launched by ZKTeco. It is a hanging type offline consumption machine with dual color screens (IC). Data of balance and limit is saved and encrypted in MIFARE card itself as well as the results are also written back into the card after transaction. Users can master operations of the product quickly.

ProMerc-10 is supported by POS module of ZKBioSecurity. Communication protocol is PUSHSDK, which only supports network communication, receipt printer with external RS232 interface, barcode scanner with external RS232 interface.

This practical consumption machine brings you convenience and high work efficiency with a brand new experience.

Functional Characteristics

- TCP/IP communication
- Optional WiFi function
- Support receipt printer with external RS232 interface
- Support barcode scanner with external RS232 interface

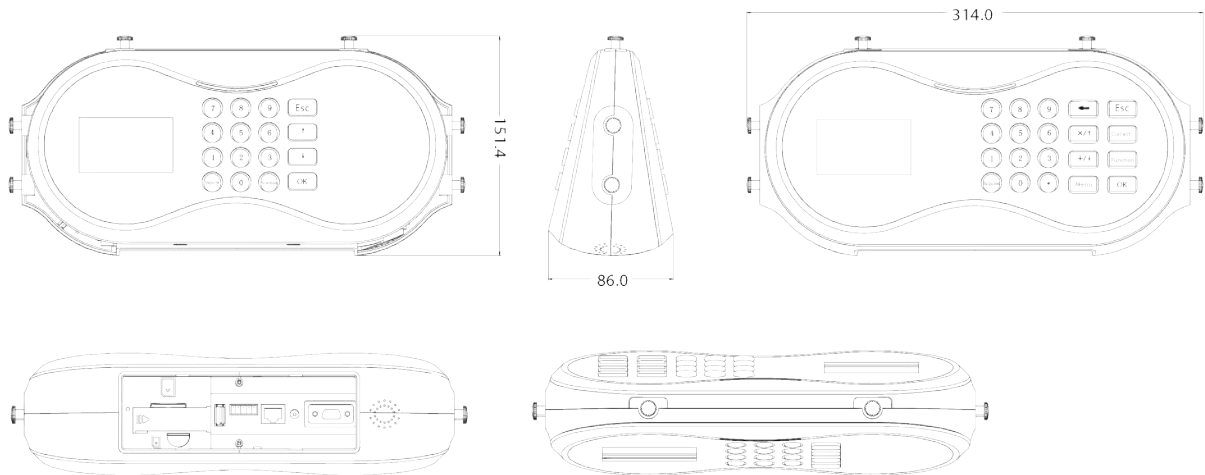
Software Compatibility

- ZKBioSecurity supported
- Part of the functions in POS module (e.g. MIFARE card issue, balance top up) require network connection

Technical Specifications

Display Screen	3-inch TFT color screen *2
Card Capacity	10,000
Record Capacity	100,000
Communication Method	TCP/IP, U-disk
Optional Configuration	WiFi
Power Specification	12V-1.5A
Operating Temperature	0~45°C
Operating Humidity	20%~80%
Dimensions	314*151.4*86mm

Dimensions (mm)



ZKTECO CO.,LTD.

www.zkteco.com

E-mail: sales@zkteco.com

© Copyright 2018.ZKTECO CO., LTD. All rights reserved.

V2.0 2019.01.25