

# Electromagnetic lock

## Application scenario



Enterprise



Institution



Supermarket



Apartment

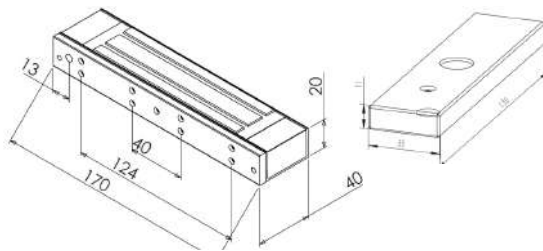


Hotel



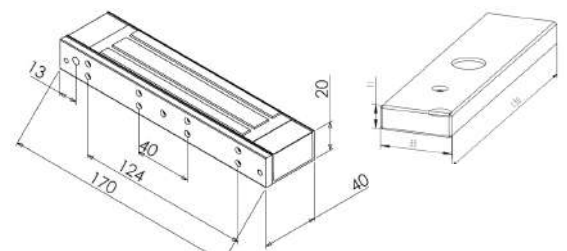
### LM-1802

| Product parameters    |   |
|-----------------------|---|
| Input voltage         | DC12V   |
| Working current       | 420mA±5%  |
| Tensile force range   | 120kg±8%  |
| Weight                | 1.01 kg   |
| Lock body size        | 170x 40 x 20mm  |
| Iron plate size       | 130x 33 x 11mm  |
| Interface Description | Red - the positive pole of the power supply;<br>Black - negative power supply |



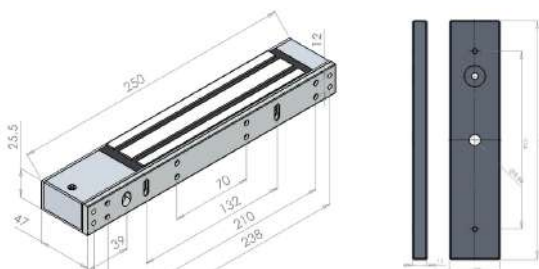
### LM-1805

| Product parameters    |  |
|-----------------------|--|
| Input voltage         | DC12V  |
| Working current       | 420 mA±5%  |
| Tensile force range   | 120kg±8%   |
| Weight                | 1.14 kg  |
| Lock body size        | 170x 40x 20mm  |
| Iron plate size       | 130x 33 x 11 mm  |
| Interface Description | Red - the positive pole of the power supply;<br>Black - the negative pole of the power supply;<br>Feedback signal output: yellow NO / green COM / white NC |



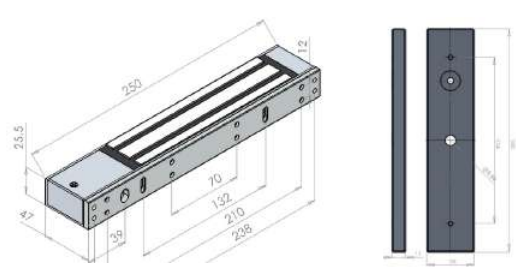
### LM-2802

| Product parameters    |  |
|-----------------------|--|
| Input voltage         | DC12V  |
| Working current       | 450mA±5%   |
| Tensile force range   | 200kg±5%   |
| Weight                | 1.77kg   |
| Lock body size        | 250x 47 x 25.5mm   |
| Iron plate size       | 180x 38x 11mm  |
| Interface Description | V+ - positive power supply;<br>V- - negative power supply; |



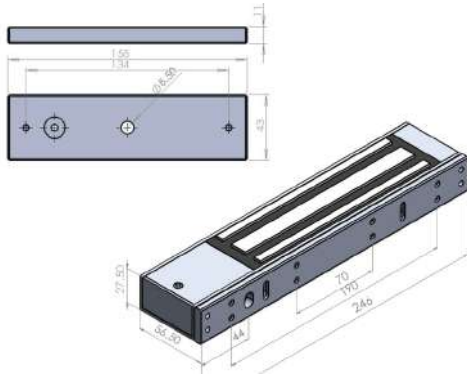
### LM-2805

| Product parameters    |   |
|-----------------------|---|
| Input voltage         | DC12V   |
| Working current       | 480mA±5%  |
| Tensile force range   | 200kg±5%  |
| Weight                | 1.77kg  |
| Lock body size        | 250x 47 x 25.5mm  |
| Iron plate size       | 180x 38x 11mm   |
| Interface Description | V+ - positive power supply;<br>V- - negative power supply;<br>Feedback signal output: NO/COM/NC |



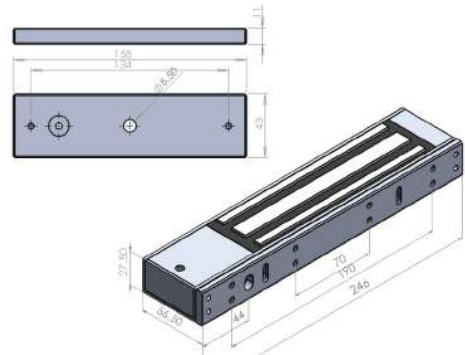
## LM-3502

| Product parameters    |  |
|-----------------------|--|
| Input voltage         | DC12V  |
| Working current       | 400mA±5 %  |
| Tensile force range   | 280kg±5 %  |
| Weight                | 2.07kg   |
| Lock body size        | 246x 56.5 x 27.5mm   |
| Iron plate size       | 158x 43 x 11mm   |
| Interface Description | V + - positive power supply;<br>V - - negative power supply; |



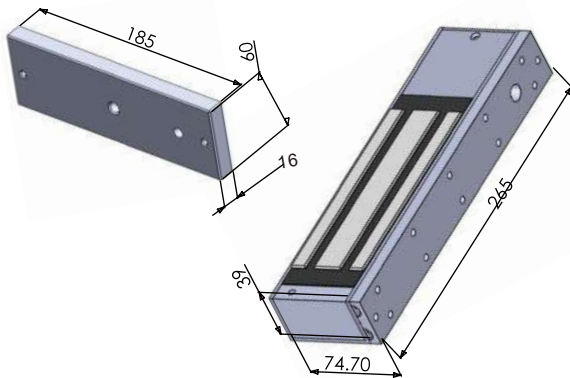
## LM-3505

| Product parameters    |   |
|-----------------------|---|
| Input voltage         | DC12V   |
| Working current       | 420mA±5 %   |
| Tensile force range   | 280kg±5 %   |
| Weight                | 2.07kg  |
| Lock body size        | 250x 47 x 25.5mm  |
| Iron plate size       | 180x 38x 11mm   |
| Interface Description | V + - positive power supply;<br>V - - negative power supply;<br>Feedback signal output: NO/COM/NC |



## LM-5002

| Product parameters    |  |
|-----------------------|--|
| Input voltage         | DC12V  |
| Working current       | 410mA±5 %  |
| Tensile force range   | 410kg±5 %  |
| Weight                | 2.07kg   |
| Lock body size        | 265 x 74.7 x 39mm  |
| Iron plate size       | 185 x 60 x 16mm  |
| Interface Description | V + - positive power supply;<br>V - - negative power supply; |



## LM-5005

| Product parameters    |   |
|-----------------------|---|
| Input voltage         | DC12V   |
| Working current       | 450mA±5 %   |
| Tensile force range   | 410kg±5 %   |
| Weight                | 2.07kg  |
| Lock body size        | 265 x 74.7 x 39mm   |
| Iron plate size       | 185 x 60 x 16mm   |
| Interface Description | V + - positive power supply;<br>V - - negative power supply;<br>Feedback signal output: NO/COM/NC |

