

Electromagnetic lock

Application scenario



Enterprise



Institution



Supermarket



Apartment

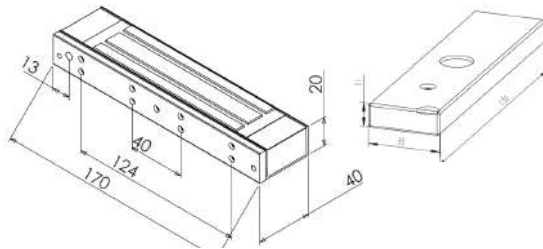


Hotel



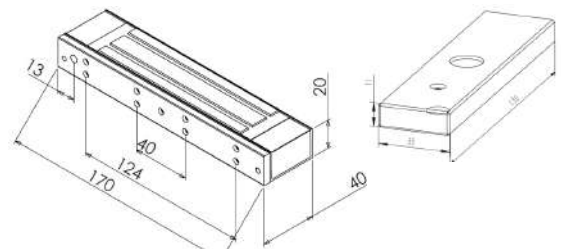
LM-1802

Product parameters	
Input voltage	DC12V
Working current	420mA±5%
Tensile force range	120kg±8%
Weight	1.01 kg
Lock body size	170x 40 x 20mm
Iron plate size	130x 33 x 11mm
Interface Description	Red - the positive pole of the power supply; Black - negative power supply



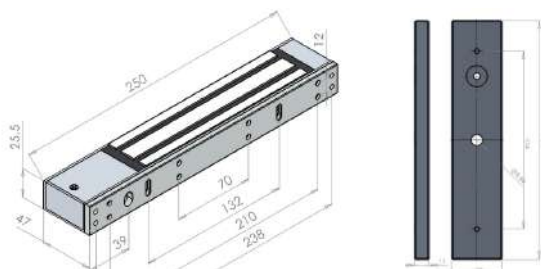
LM-1805

Product parameters	
Input voltage	DC12V
Working current	420 mA±5%
Tensile force range	120kg±8%
Weight	1.14 kg
Lock body size	170x 40x 20mm
Iron plate size	130x 33 x 11 mm
Interface Description	Red - the positive pole of the power supply; Black - the negative pole of the power supply; Feedback signal output: yellow NO / green COM / white NC



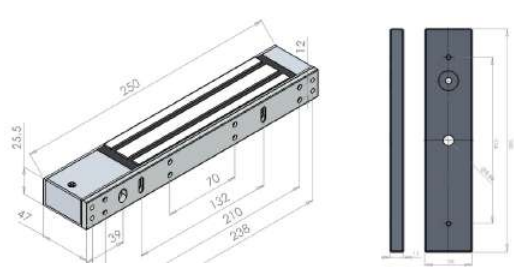
LM-2802

Product parameters	
Input voltage	DC12V
Working current	450mA±5%
Tensile force range	200kg±5%
Weight	1.77kg
Lock body size	250x 47 x 25.5mm
Iron plate size	180x 38x 11mm
Interface Description	V+ - positive power supply; V- - negative power supply;



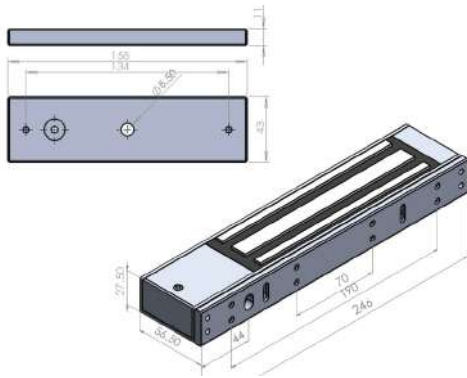
LM-2805

Product parameters	
Input voltage	DC12V
Working current	480mA±5%
Tensile force range	200kg±5%
Weight	1.77kg
Lock body size	250x 47 x 25.5mm
Iron plate size	180x 38x 11mm
Interface Description	V+ - positive power supply; V- - negative power supply; Feedback signal output: NO/COM/NC



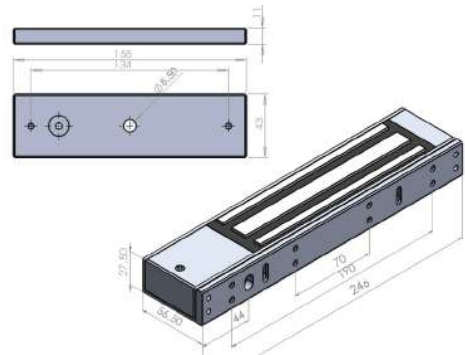
LM-3502

Product parameters	
Input voltage	DC12V
Working current	400mA±5 %
Tensile force range	280kg±5 %
Weight	2.07kg
Lock body size	246x 56.5 x 27.5mm
Iron plate size	158x 43 x 11mm
Interface Description	V + - positive power supply; V - - negative power supply;



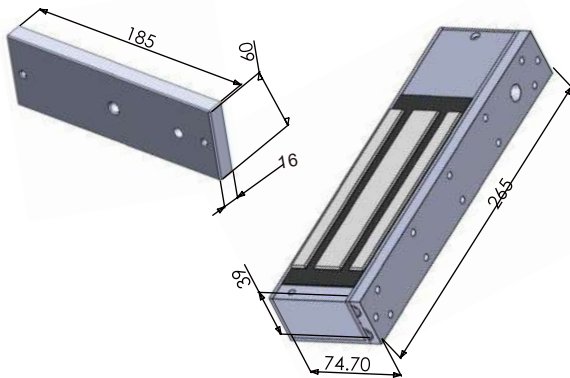
LM-3505

Product parameters	
Input voltage	DC12V
Working current	420mA±5 %
Tensile force range	280kg±5 %
Weight	2.07kg
Lock body size	250x 47 x 25.5mm
Iron plate size	180x 38x 11mm
Interface Description	V + - positive power supply; V - - negative power supply; Feedback signal output: NO/COM/NC



LM-5002

Product parameters	
Input voltage	DC12V
Working current	410mA±5 %
Tensile force range	410kg±5 %
Weight	2.07kg
Lock body size	265 x 74.7 x 39mm
Iron plate size	185 x 60 x 16mm
Interface Description	V + - positive power supply; V - - negative power supply;



LM-5005

Product parameters	
Input voltage	DC12V
Working current	450mA±5 %
Tensile force range	410kg±5 %
Weight	2.07kg
Lock body size	265 x 74.7 x 39mm
Iron plate size	185 x 60 x 16mm
Interface Description	V + - positive power supply; V - - negative power supply; Feedback signal output: NO/COM/NC

